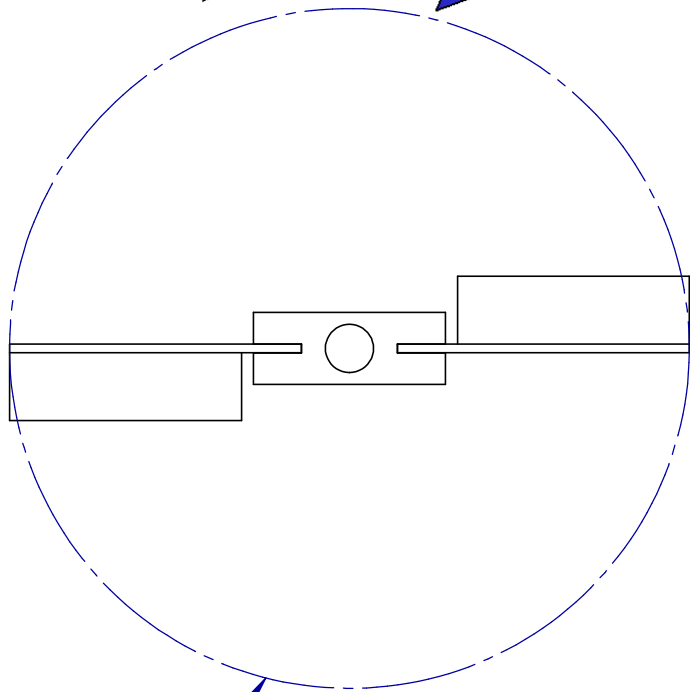
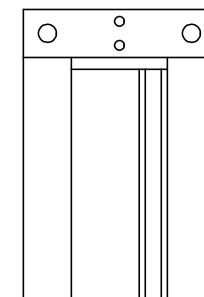
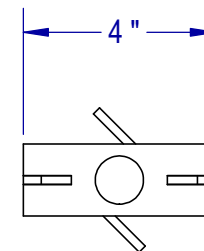
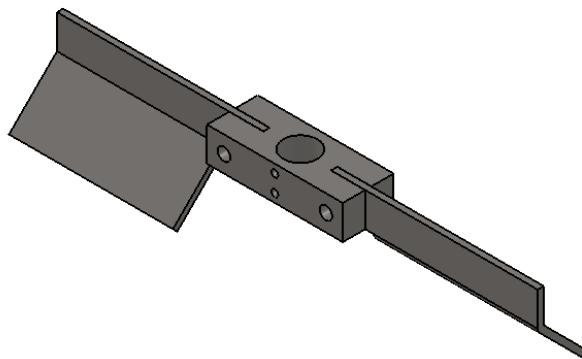


ROTATION



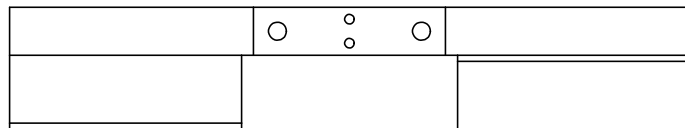
IMPELLER DIAMETER



IMPELLER AT REST



FLOW



IMPELLER DATA	
MATERIAL	316SS
FLOW	MIXED
BLADE ANGLE	45° NOMINAL
ATTACHMENT	SET SCREW

CONTACT FUSION FLUID EQUIPMENT FOR CUSTOM SIZES AND BORES

UNLESS OTHERWISE SPECIFIED:  
DIMENSIONS ARE IN INCHES.  
NO TOLERANCE IS IMPLIED.  
DO NOT SCALE DRAWING

	NAME	DATE
DRAWN	JDF	7/25/13
CHECKED	TS	7/25/13

PROPRIETARY AND CONFIDENTIAL

THE INFORMATION CONTAINED IN THIS DRAWING IS THE SOLE PROPERTY OF FUSION FLUID EQUIPMENT LLC. ANY REPRODUCTION IN PART OR AS A WHOLE WITHOUT THE WRITTEN PERMISSION OF FUSION FLUID EQUIPMENT LLC IS PROHIBITED.

WHILE FUSION FLUID EQUIPMENT LLC STRIVES TO MAINTAIN THE INTEGRITY OF A DESIGN AS APPROVED, FUSION FLUID EQUIPMENT LLC RETAINS THE RIGHT TO MAKE MODIFICATIONS DURING THE MANUFACTURING PROCESS TO IMPROVE FIT, FORM, AND FUNCTION OF THE DESIGN WITHOUT CUSTOMER NOTIFICATION OR CONSENT.



TITLE: FOLDING IMPELLER FOR 4.25" OPENING (2 BLADE)		
SIZE <b>A</b>	DWG. NO. 000000	REV A
SCALE: 1:2	WEIGHT:	SHEET 1 OF 1